

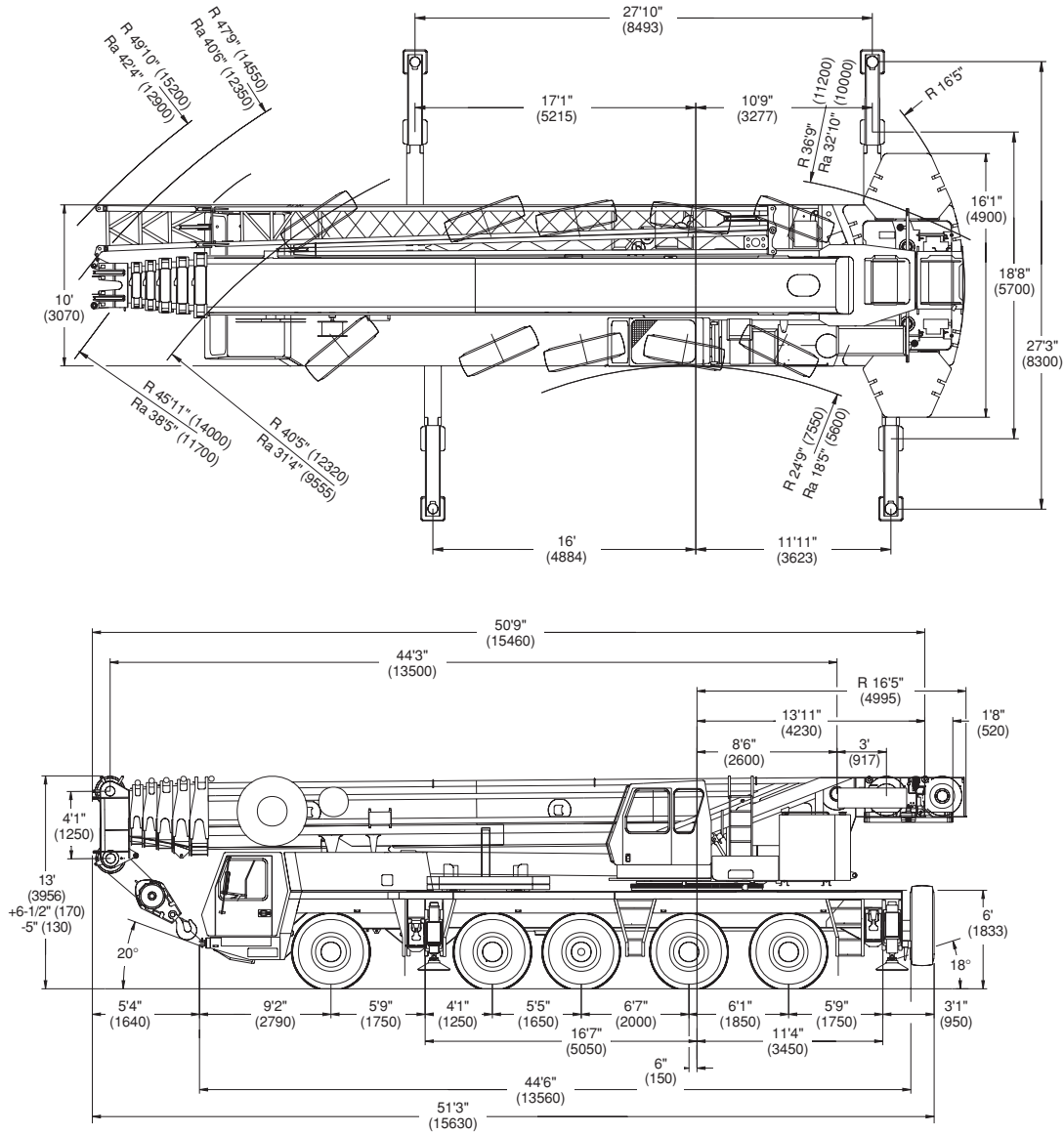
GROVE®

GMK5240



ALL TERRAIN HYDRAULIC CRANE

Dimensions



Note: () Reference dimensions in mm

BASIC WEIGHTS (LBS.)

| | Axes 1 - 3 | Axes 4 & 5 | Total |
|---|------------|------------|-----------|
| With Cummins Power, 10x8x10, 20.5 R25 Tires | 82,573 | 51,609 | 134,182 |
| With Mercedes Power, 10x8x10, 20.5 R25 Tires | 80,637 | 52,663 | 133,300 |
| Additions: | | | |
| Outrigger Pads | 97 | 212 | 309 |
| Auxiliary Hoist | -(3,340) | 7,066 | 3,726 |
| Brackets & Hydraulic Reeling Drum for Lattice Extension | 703 | -(196) | 507 |
| Lattice Extension - 43/72 ft | 6,969 | -(1,502) | 5,467 |
| Spare Tire - 14.00 R25 (including stowage bracket) | -(395) | 979 | 584 |
| Spare Tire - 16.00 R25 (including stowage bracket) | -(485) | 1,202 | 717 |
| Spare Tire - 20.5 R25 (including stowage bracket) | -(553) | 1,362 | 809 |
| Removal: | | | |
| Front Outrigger Beams & Jacks | -(5,315) | 730 | -(4,585) |
| Rear Outrigger Beams & Jacks | 2,992 | -(8,614) | -(5,622) |
| Boom Assembly (minus lift cylinder)* | -(41,678) | -(3,230) | -(44,908) |
| Lift Cylinder* | -(3,404) | -(1,071) | -(4,475) |
| 10x6x10 in lieu of 10x8x10 | -(1,296) | 436 | -(860) |
| 16.00 R25 Tires in lieu of 20.5 | -(556) | -(370) | -(926) |
| 14.00 R25 Tires in lieu of 20.5 | -(1,349) | -(900) | -(2,249) |

*Reflects weights with superstructure facing forward

Working Range



44 - 197 ft.
(13.5 - 60 m)



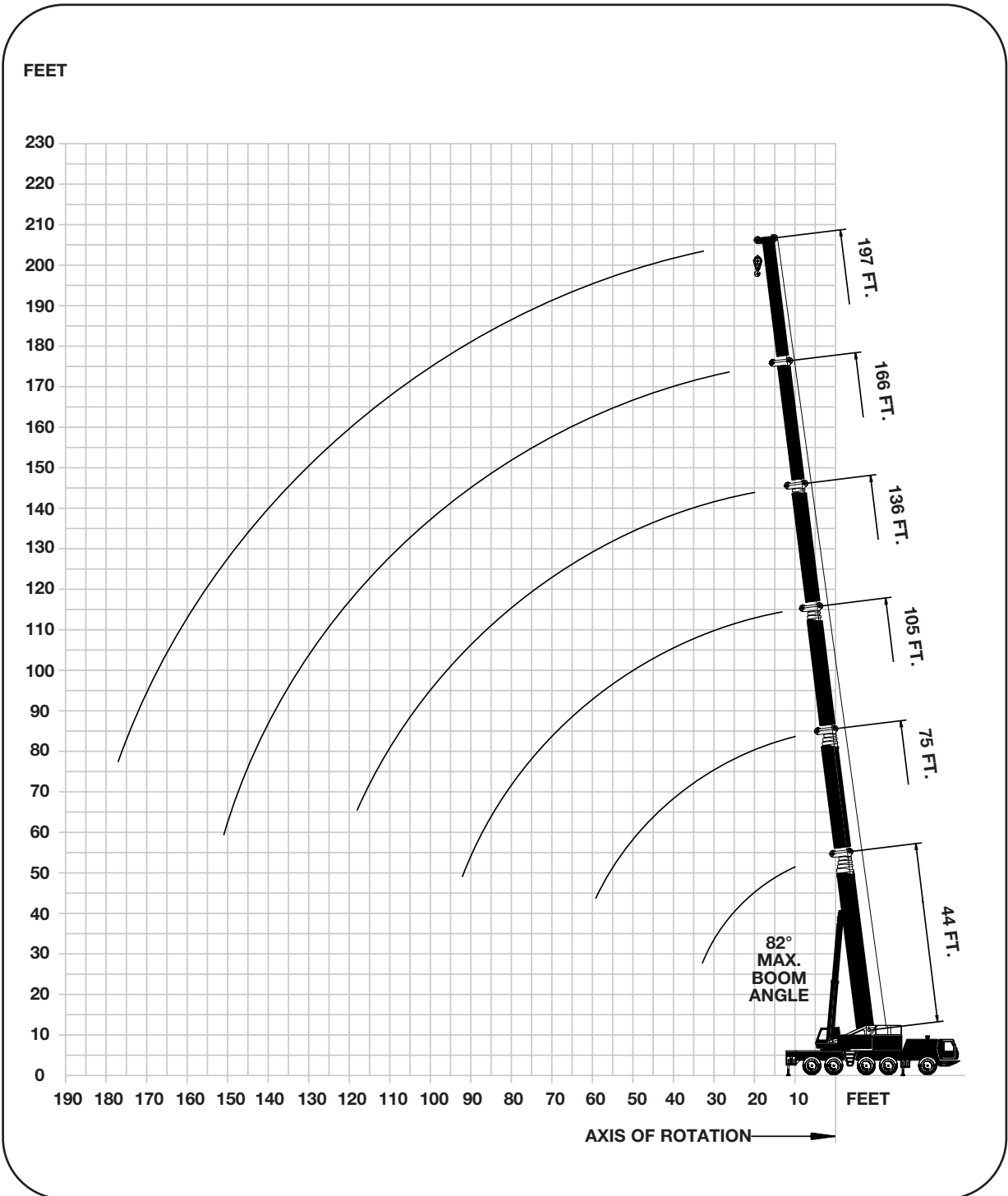
154,300 lbs.
(70,000 kg)



100%



360°



Superstructure Specifications

Boom

44 ft. - 197 ft. (13.5 m - 60 m) six section, full-power boom with patented TWIN-LOCK™ boom pinning system. Maximum tip height: 207 ft. (63 m).

Boom Elevation

Single lift cylinder with safety valve provides boom angle from -1.5° to +82°.

Lattice Extension

43 ft. - 72 ft. (13 m - 22 m) lattice swingaway extension. Hydraulically offsettable 5° - 40° with hydraulic luffing.

*Optional Lattice Jib Extension

Two 26 ft. (8 m) inserts for use with lattice swingaway extension to increase length up to 125 ft. (38 m).

Load Moment & Anti-Two Block System

Load moment and anti-two block system with audio/visual warning and control lever lockout provides electronic display of boom angle, length, radius, tip height, relative load moment, maximum permissible load, load indication and warning of impending two-block condition.

Cab

All aluminum construction cab is tiltable (approximately 20°) and includes safety glass and adjustable operator's seat with hydraulic suspension. Other features include engine dependent hot water heater, armrest integrated crane controls, and ergonomically arranged instrumentation.

Swing

3 swing gears with axial piston fixed displacement motors provide swing speed of 0 - 1.7 RPM through planetary gear box. Also provided is a spring applied, hydraulically released automatic swing brake with foot-operated release for free swing.

Counterweight

154,300 lbs. (70 000 kg) consisting of various sections with hydraulic installation/removal system (see counterweight configuration on page 12).

Engine

Cummins 6BTA 5.9-C, diesel, 6 cylinders, water cooled, turbocharged, 165 HP (123 kW) at 2000 rpm. Max. torque: 538 ft./lbs. (730 Nm) at 1500 rpm. Engine emission: EUROMOT/EPA/CARB (off-highway).

Fuel Tank Capacity

53 gal. (200 L).

Hydraulic system

3 separate circuits, 2 axial piston variable displacement pumps, with electronic power limiting control and 1 axial piston variable displacement pump for swing. Standard thermostatically controlled oil cooler keeps oil at optimum operating temperature.

Tank capacity: 259 gal. (980 L)

Control system

Full electronic control of all crane movements is accomplished using electrical control levers with automatic reset to zero. Controls are integrated with the LMI and engine management system by CAN-BUS.

Hoist

Main and auxiliary hoist are powered by axial piston variable displacement motor with planetary gear and brake. "Thumb-thumper" hoist drum rotation indicator alerts operator of hoist movement.

| | <u>Main</u> | <u>Auxiliary</u> |
|----------------|--------------------------|--------------------------|
| Line length: | 984 ft. (300 m) | 755 ft. (230 m) |
| Rope diameter: | 22 mm | 22 mm |
| Line speed: | 426 ft./min. | 426 ft./min. |
| Line pull: | 21,000 lbs. (93.4 kN) | 21,000 lbs. (93.4 kN) |

Electrical system

24 V system with three-phase alternator 28 V/80 A, 2 batteries 12 V/170 Ah.

*Optional equipment

- *Mercedes engine version
- *Engine-independent hot water heater, with engine pre-heater
- *Second spotlight
- *Stereo/cassette player
- *Air Conditioning

Carrier Specifications

Chassis

Box-type, torsion resistant frame is fabricated from high-strength steel.

Outrigger System

Hydraulic two-stage outrigger beams are extended by a single hydraulic cylinder and two cables. Outriggers can adjust to two positions:

Fully extended (100%) - 27' 3" (8.3 m)

Partially extended (50%) - 18' 8" (5.7 m)

Four 23.6 in. (600 mm) square, self stowing, nylatron outrigger pads provide rigid lifting base. Outrigger controls are located on both sides of the carrier. An electronic level indicator is located next to each outrigger control box.

Engine

Cummins Signature 600, diesel, 6 cylinders, water cooled, turbo charged and aftercooled, 600 HP (448 kW) at 2000 rpm. Max. torque: 2,050 ft./lbs. (2780 Nm) at 1200-1400 rpm.

Engine emission: EUROMOT/EPA/CARB (on highway).

Fuel Tank Capacity

106 gal. (400 L).

Transmission

Allison automatic CLT 755, 5 forward and 1 reverse speed. Transfer case with 2 speeds and inter-axle differential lock.

Drive/Steer

10 x 8 x 10

Axles

1st axle line - drive/steer

2nd axle line - drive/steer

3rd axle line - steer

4th axle line - drive/steer (off road only)

5th axle line - drive/steer

Drive axles with planetary hub reduction and center mounted gearing

Suspension

GMK5240 features the Grove exclusive MEGATRAK™ suspension. This revolutionary design features an independent hydropneumatic system with hydraulic lockout acting on all wheels. The suspension can be raised 6-1/2" (170 mm) or lowered 5" (130 mm) both longitudinally and transversely and features an automatic leveling system for on-highway travel.

Tires

10 tires, 20.5 R25.

Steering

Dual circuit steering system is hydraulic power assisted with a transfer case mounted, ground driven, emergency steering pump. Axles 1, 2, 3 and 5 steer on highway. Separate steering of the 4th and 5th axle for all wheel steer and crab-steer is controlled by an electric rocker switch.

Brakes

A dual circuit air system operates on all wheels with a spring-applied, air released parking brake acting on axles 2, 3, 4 and 5. An air dryer is fitted to remove moisture from the air system.

Engine compression brake (Cummins) or exhaust brake and constant throttle brake (Mercedes) is standard.

Cab

Two-man, aluminum construction driver's cab with thru access, includes the following features: safety glass; driver and passenger seats with hydraulic suspension, engine-dependent hot water heater, complete instrumentation and driving controls.

Electrical system

24 V system with three-phase alternator 28 V/100 A, 2 batteries 12 V/170 Ah.

Maximum Speed

51 mph (82 km/h) with 20.5 R25 Tires

Gradeability (Theoretical)

55% with 20.5 R25 Tires

Miscellaneous standard equipment

Boom removal kit; trailing boom kit (less dolly); additional hydraulic oil cooler; spare tire and wheel - 20.5 R25 with carry bracket; flashing amber warning light on carrier cab; working light; tool kit; fire extinguisher; rooster sheave; radio cassette in carrier cab.

*Optional equipment

*Mercedes engine version

*10 x 6 x 10 drive/steer

*Electric driveline retarder

*16.00 R25 (vehicle width 9 ft. 10 in. [3 m])

*14.00 R25 tires (vehicle width 9 ft. 10 in. [3 m])

*Outrigger pressure measurement devices

*Engine-independent hot water heater, with engine pre-heater

*Trailing boom "boost" weight transfer kit

*Air conditioning

* Denotes optional equipment


44 - 197 ft.
 (13.5 - 60.0 m)


154,300 lbs.
 (70,000 kg)


100%
 27' 3" Spread


360°

| Feet | Pounds (thousands) | | | | | | | | | | | |
|------|--------------------|-------|-------|-------|-------|-------|-------|------|------|------|------|------|
| | 44* | 44 | 60 | 75 | 90 | 105 | 121 | 136 | 151 | 166 | 182 | 197 |
| 8 | 480.0 | | | | | | | | | | | |
| 9 | 416.0 | | | | | | | | | | | |
| 10 | 384.0 | 338.0 | 336.0 | 260.0 | 189.0 | | | | | | | |
| 15 | 306.0 | 264.0 | 266.0 | 260.0 | 189.0 | 153.0 | | | | | | |
| 20 | 252.0 | 212.0 | 214.0 | 211.0 | 189.0 | 153.0 | 123.0 | 96.0 | | | | |
| 25 | 209.0 | 177.0 | 179.0 | 175.0 | 177.0 | 153.0 | 123.0 | 96.0 | 75.0 | | | |
| 30 | 168.0 | 150.0 | 152.0 | 149.0 | 151.0 | 146.0 | 123.0 | 96.0 | 75.0 | 60.0 | 47.0 | |
| 35 | | | 132.0 | 128.0 | 130.0 | 133.0 | 116.0 | 92.0 | 75.0 | 60.0 | 47.0 | 40.0 |
| 40 | | | 117.0 | 112.0 | 114.0 | 116.0 | 107.0 | 85.0 | 75.0 | 60.0 | 47.0 | 40.0 |
| 45 | | | 104.0 | 99.0 | 102.0 | 103.0 | 99.0 | 79.0 | 71.0 | 60.0 | 47.0 | 40.0 |
| 50 | | | | 88.0 | 94.0 | 92.0 | 93.0 | 74.0 | 66.0 | 57.0 | 47.0 | 40.0 |
| 55 | | | | 79.0 | 85.0 | 83.0 | 85.0 | 69.0 | 62.0 | 54.0 | 47.0 | 40.0 |
| 60 | | | | | 77.0 | 75.0 | 77.0 | 64.0 | 58.0 | 51.0 | 45.0 | 40.0 |
| 65 | | | | | 70.0 | 68.0 | 71.0 | 58.0 | 53.0 | 48.0 | 42.6 | 39.0 |
| 70 | | | | | 63.0 | 63.0 | 63.0 | 55.0 | 50.0 | 45.0 | 40.6 | 37.4 |
| 75 | | | | | 57.0 | 59.0 | 57.0 | 52.0 | 48.0 | 43.2 | 38.8 | 35.8 |
| 80 | | | | | | 53.0 | 52.0 | 49.0 | 45.0 | 40.8 | 36.8 | 34.2 |
| 85 | | | | | | 49.0 | 47.0 | 45.0 | 41.8 | 38.4 | 35.0 | 32.6 |
| 90 | | | | | | 45.0 | 43.0 | 41.2 | 39.0 | 36.2 | 33.0 | 30.8 |
| 95 | | | | | | | 39.2 | 38.8 | 36.2 | 33.8 | 31.0 | 29.2 |
| 100 | | | | | | | 36.0 | 36.8 | 33.6 | 31.6 | 29.4 | 27.6 |
| 105 | | | | | | | | 34.8 | 31.2 | 30.0 | 28.0 | 26.4 |
| 110 | | | | | | | | 32.2 | 28.6 | 28.4 | 26.6 | 25.2 |
| 115 | | | | | | | | 29.8 | 26.2 | 26.6 | 25.2 | 23.8 |
| 120 | | | | | | | | | 24.8 | 24.6 | 23.8 | 22.6 |
| 125 | | | | | | | | | 23.6 | 22.6 | 22.6 | 21.4 |
| 130 | | | | | | | | | 22.4 | 20.8 | 21.2 | 20.0 |
| 135 | | | | | | | | | 21.8 | 19.2 | 20.2 | 19.2 |
| 140 | | | | | | | | | | 18.4 | 18.6 | 18.4 |
| 145 | | | | | | | | | | 17.8 | 17.2 | 17.8 |
| 150 | | | | | | | | | | 17.2 | 16.0 | 17.0 |
| 155 | | | | | | | | | | | 14.8 | 15.8 |
| 160 | | | | | | | | | | | 14.0 | 14.6 |
| 165 | | | | | | | | | | | | 13.6 |
| 170 | | | | | | | | | | | | 12.6 |
| 175 | | | | | | | | | | | | 11.8 |
| 180 | | | | | | | | | | | | 10.8 |

* Over rear only, 27'10" x 18'8" outrigger base.
Lifting capacities greater than 350,000 lbs (160,000 kg) require additional equipment.


44 - 197 ft.
 (13.5 - 60.0 m)


97,000 lbs.
 (44,000 kg)


100%
 27' 3" Spread


360°

| Feet | Pounds (thousands) | | | | | | | | | | | |
|------|--------------------|-------|-------|-------|-------|-------|-------|------|------|------|------|------|
| | 44* | 44 | 60 | 75 | 90 | 105 | 121 | 136 | 151 | 166 | 182 | 197 |
| 8 | 440.0 | | | | | | | | | | | |
| 9 | 416.0 | | | | | | | | | | | |
| 10 | 384.0 | 326.0 | 326.0 | 260.0 | 189.0 | | | | | | | |
| 15 | 306.0 | 252.0 | 254.0 | 252.0 | 189.0 | 153.0 | | | | | | |
| 20 | 252.0 | 203.0 | 205.0 | 202.0 | 189.0 | 153.0 | 123.0 | 96.0 | | | | |
| 25 | 196.0 | 170.0 | 171.0 | 168.0 | 170.0 | 153.0 | 123.0 | 96.0 | 75.0 | | | |
| 30 | 156.0 | 144.0 | 146.0 | 142.0 | 144.0 | 146.0 | 123.0 | 96.0 | 75.0 | 60.0 | 47.0 | |
| 35 | | | 127.0 | 121.0 | 124.0 | 123.0 | 116.0 | 92.0 | 75.0 | 60.0 | 47.0 | 40.0 |
| 40 | | | 106.0 | 100.0 | 108.0 | 103.0 | 102.0 | 85.0 | 75.0 | 60.0 | 47.0 | 40.0 |
| 45 | | | 88.0 | 82.0 | 89.0 | 92.0 | 88.0 | 79.0 | 71.0 | 60.0 | 47.0 | 40.0 |
| 50 | | | | 70.0 | 77.0 | 78.0 | 76.0 | 72.0 | 66.0 | 57.0 | 47.0 | 40.0 |
| 55 | | | | 64.0 | 68.0 | 67.0 | 65.0 | 63.0 | 61.0 | 54.0 | 47.0 | 40.0 |
| 60 | | | | | 59.0 | 58.0 | 57.0 | 56.0 | 54.0 | 51.0 | 45.0 | 40.0 |
| 65 | | | | | 52.0 | 51.0 | 50.0 | 52.0 | 48.0 | 47.0 | 42.6 | 39.0 |
| 70 | | | | | 46.0 | 46.0 | 46.0 | 46.0 | 42.2 | 42.2 | 40.6 | 37.4 |
| 75 | | | | | 41.6 | 40.8 | 42.6 | 41.0 | 38.0 | 37.8 | 38.4 | 35.8 |
| 80 | | | | | | 36.6 | 38.4 | 36.8 | 36.2 | 33.8 | 34.8 | 34.2 |
| 85 | | | | | | 34.2 | 34.8 | 33.0 | 34.0 | 32.0 | 31.4 | 32.2 |
| 90 | | | | | | 32.6 | 31.6 | 30.0 | 30.8 | 30.2 | 29.6 | 29.0 |
| 95 | | | | | | | 28.6 | 28.2 | 28.0 | 28.2 | 27.6 | 26.2 |
| 100 | | | | | | | 26.2 | 26.8 | 25.4 | 25.6 | 25.0 | 23.6 |
| 105 | | | | | | | | 24.8 | 23.6 | 23.4 | 22.8 | 21.4 |
| 110 | | | | | | | | 22.8 | 22.4 | 21.6 | 20.8 | 19.4 |
| 115 | | | | | | | | 21.0 | 21.0 | 19.8 | 19.0 | 17.6 |
| 120 | | | | | | | | | 19.4 | 18.2 | 17.2 | 15.8 |
| 125 | | | | | | | | | 17.8 | 16.6 | 15.8 | 14.4 |
| 130 | | | | | | | | | 14.8 | 15.2 | 14.4 | 13.0 |
| 135 | | | | | | | | | 15.2 | 14.0 | 13.0 | 11.6 |
| 140 | | | | | | | | | | 12.8 | 12.0 | 10.6 |
| 145 | | | | | | | | | | 11.8 | 10.8 | 9.4 |
| 150 | | | | | | | | | | 10.8 | 9.8 | 8.4 |
| 155 | | | | | | | | | | | 9.0 | 7.6 |
| 160 | | | | | | | | | | | 8.0 | 6.6 |
| 165 | | | | | | | | | | | | 5.8 |
| 170 | | | | | | | | | | | | 5.2 |
| 175 | | | | | | | | | | | | 4.4 |
| 180 | | | | | | | | | | | | 3.8 |

* Over rear only, 27'10" x 18'8" outrigger base.
Lifting capacities greater than 350,000 lbs (160,000 kg) require additional equipment.

THIS CHART IS ONLY A GUIDE AND SHOULD NOT BE USED TO OPERATE THE CRANE. The individual crane's load chart, operating instructions and other instructional plates must be read and understood prior to operating the crane.

 44 - 197 ft.
 (13.5 - 60.0 m)
  49,600 lbs.
 (22,500 kg)
  100%
 27' 3" Spread
  360°

| Feet | 44 | 60 | 75 | 90 | 105 | 121 | 136 | 151 | 166 | 182 | 197 |
|------|-------|-------|-------|-------|-------|-------|------|------|------|------|------|
| 10 | 316.0 | 316.0 | 260.0 | 189.0 | | | | | | | |
| 15 | 244.0 | 246.0 | 244.0 | 189.0 | 153.0 | | | | | | |
| 20 | 196.0 | 198.0 | 195.0 | 189.0 | 153.0 | 123.0 | 96.0 | | | | |
| 25 | 157.0 | 159.0 | 146.0 | 146.0 | 134.0 | 123.0 | 96.0 | 75.0 | | | |
| 30 | 118.0 | 123.0 | 110.0 | 113.0 | 111.0 | 102.0 | 95.0 | 75.0 | 60.0 | 47.0 | |
| 35 | | 93.0 | 92.0 | 96.0 | 90.0 | 84.0 | 78.0 | 74.0 | 60.0 | 47.0 | 40.0 |
| 40 | | 75.0 | 78.0 | 79.0 | 75.0 | 69.0 | 69.0 | 62.0 | 60.0 | 47.0 | 40.0 |
| 45 | | 61.0 | 64.0 | 65.0 | 64.0 | 63.0 | 59.0 | 55.0 | 51.0 | 47.0 | 40.0 |
| 50 | | | 54.0 | 54.0 | 54.0 | 55.0 | 51.0 | 51.0 | 48.0 | 44.0 | 40.0 |
| 55 | | | 46.0 | 46.0 | 48.0 | 47.0 | 45.0 | 44.0 | 43.6 | 41.4 | 38.4 |
| 60 | | | | 40.2 | 42.0 | 40.8 | 42.0 | 40.2 | 38.6 | 36.4 | 33.6 |
| 65 | | | | 36.8 | 36.8 | 35.6 | 36.8 | 36.8 | 34.2 | 32.2 | 29.6 |
| 70 | | | | 32.4 | 32.4 | 33.2 | 32.4 | 32.6 | 30.6 | 28.6 | 26.2 |
| 75 | | | | 28.6 | 28.6 | 29.4 | 28.8 | 28.6 | 27.2 | 25.6 | 23.0 |
| 80 | | | | | 25.4 | 26.2 | 25.6 | 25.4 | 24.2 | 22.8 | 20.4 |
| 85 | | | | | 22.6 | 23.4 | 22.8 | 22.6 | 21.4 | 20.4 | 18.0 |
| 90 | | | | | 20.2 | 21.0 | 20.4 | 20.2 | 19.0 | 18.0 | 16.0 |
| 95 | | | | | | 18.8 | 18.2 | 18.0 | 16.8 | 16.0 | 14.0 |
| 100 | | | | | | 17.0 | 16.4 | 16.2 | 15.0 | 14.0 | 12.2 |
| 105 | | | | | | | 14.8 | 14.4 | 13.2 | 12.4 | 10.8 |
| 110 | | | | | | | 13.2 | 13.0 | 11.8 | 10.8 | 9.2 |
| 115 | | | | | | | 11.8 | 11.6 | 10.4 | 9.4 | 8.0 |
| 120 | | | | | | | | 10.4 | 9.0 | 8.2 | 6.8 |
| 125 | | | | | | | | | 9.2 | 7.0 | 5.6 |
| 130 | | | | | | | | | 8.2 | 7.0 | 4.6 |
| 135 | | | | | | | | | 7.2 | 6.0 | 3.6 |
| 140 | | | | | | | | | | 5.2 | 4.2 |
| 145 | | | | | | | | | | 4.4 | 3.4 |
| 150 | | | | | | | | | | 3.6 | 2.6 |

 44 - 197 ft.
 (13.5 - 60.0 m)
  30,800 lbs.
 (14,000 kg)
  100%
 27' 3" Spread
  360°

| Feet | 44 | 60 | 75 | 90 | 105 | 121 | 136 | 151 | 166 | 182 | 197 |
|------|-------|-------|-------|-------|-------|-------|------|------|------|------|------|
| 10 | 312.0 | 312.0 | 260.0 | 189.0 | | | | | | | |
| 15 | 242.0 | 242.0 | 240.0 | 189.0 | 153.0 | | | | | | |
| 20 | 190.0 | 193.0 | 171.0 | 165.0 | 152.0 | 123.0 | 96.0 | | | | |
| 25 | 143.0 | 140.0 | 120.0 | 127.0 | 119.0 | 109.0 | 96.0 | 75.0 | | | |
| 30 | 98.0 | 103.0 | 102.0 | 99.0 | 92.0 | 85.0 | 83.0 | 74.0 | 60.0 | 47.0 | |
| 35 | | 79.0 | 82.0 | 80.0 | 75.0 | 74.0 | 68.0 | 63.0 | 58.0 | 47.0 | 40.0 |
| 40 | | 62.0 | 65.0 | 66.0 | 63.0 | 62.0 | 57.0 | 56.0 | 52.0 | 47.0 | 40.0 |
| 45 | | 50.0 | 53.0 | 53.0 | 56.0 | 52.0 | 52.0 | 50.0 | 47.0 | 44.0 | 40.0 |
| 50 | | | 44.0 | 47.0 | 47.0 | 45.0 | 45.0 | 43.4 | 40.4 | 38.0 | 34.8 |
| 55 | | | 37.6 | 39.8 | 39.8 | 40.6 | 39.4 | 37.8 | 35.0 | 32.6 | 29.8 |
| 60 | | | | 34.2 | 34.2 | 35.2 | 34.4 | 33.0 | 30.4 | 28.2 | 25.6 |
| 65 | | | | 29.6 | 29.6 | 30.6 | 30.0 | 29.0 | 26.6 | 24.6 | 22.0 |
| 70 | | | | 25.8 | 25.6 | 26.6 | 26.0 | 25.6 | 23.2 | 21.4 | 18.8 |
| 75 | | | | 22.4 | 22.4 | 23.2 | 22.6 | 22.4 | 20.4 | 18.6 | 16.2 |
| 80 | | | | | 19.4 | 20.4 | 19.8 | 19.6 | 17.8 | 16.2 | 14.0 |
| 85 | | | | | 17.0 | 17.8 | 17.2 | 17.0 | 15.6 | 14.0 | 11.8 |
| 90 | | | | | 15.0 | 15.8 | 15.2 | 15.0 | 13.6 | 12.2 | 10.0 |
| 95 | | | | | | 13.8 | 13.2 | 13.0 | 11.8 | 10.6 | 8.4 |
| 100 | | | | | | 12.2 | 11.6 | 11.4 | 10.2 | 9.0 | 7.0 |
| 105 | | | | | | | 10.2 | 10.0 | 8.6 | 7.6 | 5.6 |
| 110 | | | | | | | | 8.8 | 8.6 | 7.4 | 4.4 |
| 115 | | | | | | | | | 7.8 | 7.4 | 3.4 |
| 120 | | | | | | | | | | 6.4 | 4.2 |
| 125 | | | | | | | | | | 5.4 | 3.2 |
| 130 | | | | | | | | | | 4.4 | 3.2 |
| 135 | | | | | | | | | | 3.8 | |

 44 - 197 ft.
 (13.5 - 60.0 m)
  0 lbs.
 (0 kg)
  100%
 27' 3" Spread
  360°

| Feet | 44 | 60 | 75 | 90 | 105 | 121 | 136 | 151 | 166 | 182 | 197 |
|------|-------|-------|-------|-------|-------|------|------|------|------|------|------|
| 10 | 304.0 | 304.0 | 260.0 | 189.0 | | | | | | | |
| 15 | 230.0 | 206.0 | 162.0 | 155.0 | 140.0 | | | | | | |
| 20 | 135.0 | 124.0 | 118.0 | 107.0 | 96.0 | 91.0 | 81.0 | | | | |
| 25 | 92.0 | 90.0 | 86.0 | 79.0 | 77.0 | 71.0 | 66.0 | 59.0 | | | |
| 30 | 64.0 | 67.0 | 65.0 | 64.0 | 59.0 | 57.0 | 52.0 | 49.0 | 43.8 | 39.8 | |
| 35 | | 51.0 | 51.0 | 50.0 | 47.0 | 45.0 | 42.0 | 39.2 | 35.4 | 32.0 | 28.2 |
| 40 | | 39.4 | 40.6 | 40.6 | 38.2 | 37.2 | 34.4 | 32.2 | 28.8 | 26.0 | 22.4 |
| 45 | | 29.8 | 32.8 | 33.4 | 31.4 | 30.8 | 28.4 | 26.6 | 23.6 | 21.0 | 17.8 |
| 50 | | | 26.6 | 27.8 | 26.2 | 25.8 | 23.8 | 22.2 | 19.2 | 16.8 | 13.8 |
| 55 | | | 21.2 | 23.4 | 21.8 | 21.6 | 19.8 | 18.4 | 15.6 | 13.6 | 10.8 |
| 60 | | | | 19.4 | 18.2 | 18.2 | 16.4 | 15.2 | 12.8 | 10.8 | 8.2 |
| 65 | | | | 16.0 | 15.2 | 15.2 | 13.6 | 12.6 | 10.2 | 8.4 | 5.8 |
| 70 | | | | 13.0 | 12.6 | 12.8 | 11.4 | 10.4 | 8.0 | 6.4 | 4.0 |
| 75 | | | | 10.6 | 10.4 | 10.8 | 9.4 | 8.4 | 6.2 | 4.6 | |
| 80 | | | | | 8.4 | 9.0 | 7.6 | 6.8 | 4.6 | 3.0 | |
| 85 | | | | | 6.6 | 7.4 | 6.0 | 5.2 | 3.2 | | |
| 90 | | | | | 5.2 | 6.0 | 4.8 | 4.0 | | | |
| 95 | | | | | | 4.8 | 3.6 | 2.8 | | | |
| 100 | | | | | | 3.6 | | | | | |

THIS CHART IS ONLY A GUIDE AND SHOULD NOT BE USED TO OPERATE THE CRANE. The individual crane's load chart, operating instructions and other instructional plates must be read and understood prior to operating the crane.

Working Range



121 - 197 ft.
(36,8 - 60 m)



43 - 125 ft.
(13 - 38 m)



154,300 lbs.
(70,000 kg)

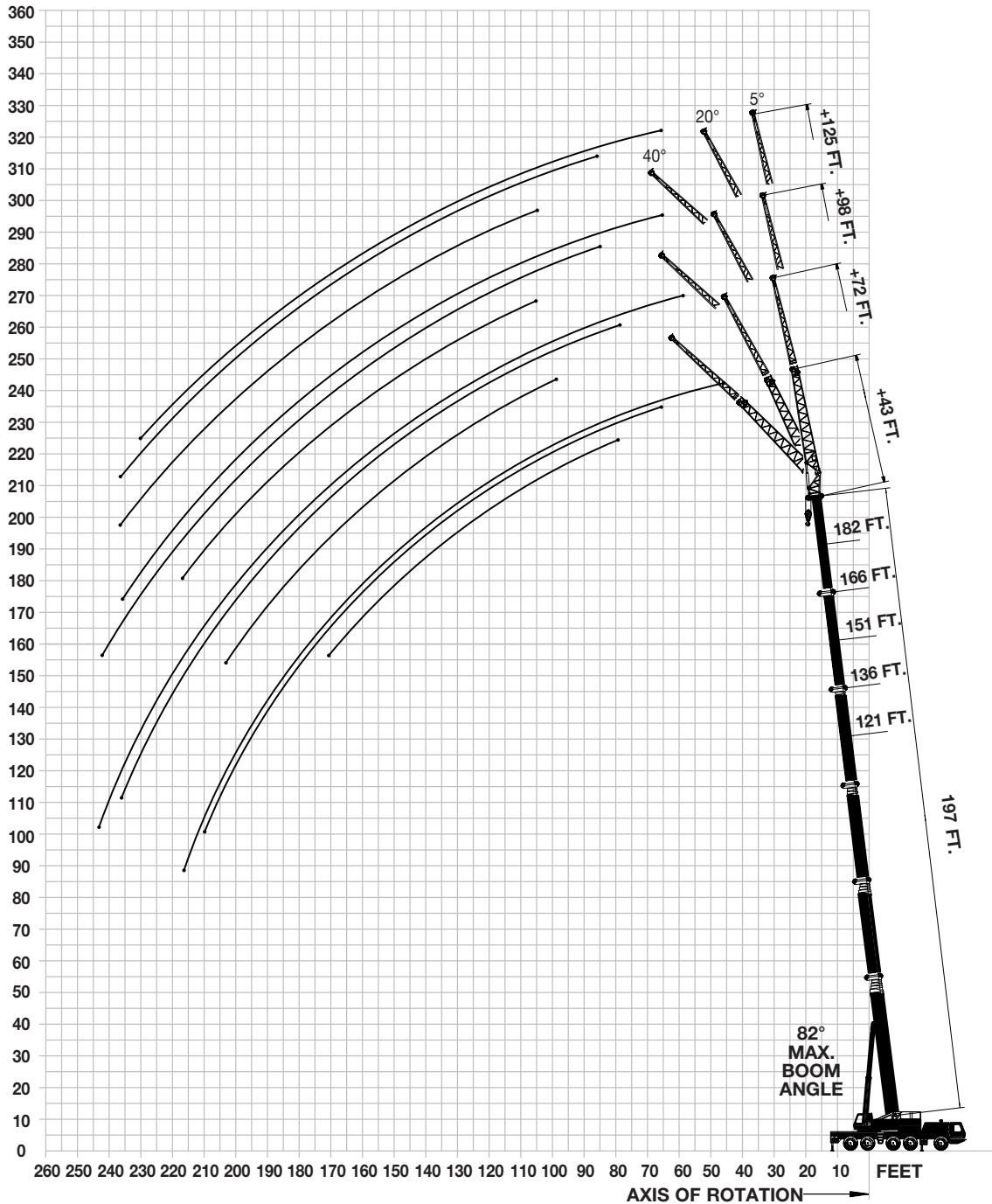


100%



360°

FEET




197 ft.
(60.0 m)


43-72-98-125 ft.
(13-22-30-38 m)


154,300 lbs.
(70,000 kg)


100%
27' 3" Spread


360°

| Feet | Pounds (thousands) | | | | | | | | | | | |
|------|--------------------|------|------|-------|------|------|-------|------|-----|--------|-----|-----|
| | 43 FT | | | 72 FT | | | 98 FT | | | 125 FT | | |
| | 5° | 20° | 40° | 5° | 20° | 40° | 5° | 20° | 40° | 5° | 20° | 40° |
| 40 | 20.6 | | | | | | | | | | | |
| 45 | 20.6 | | | | | | | | | | | |
| 50 | 20.6 | | | | | | | | | | | |
| 55 | 20.6 | 19.8 | | 12.6 | | | | | | | | |
| 60 | 20.6 | 19.8 | | 12.6 | | | 9.8 | | | 6.8 | | |
| 65 | 20.6 | 19.8 | | 12.6 | | | 9.8 | | | 6.8 | | |
| 70 | 20.6 | 19.8 | 19.0 | 12.4 | | | 9.8 | | | 6.8 | | |
| 75 | 20.6 | 19.8 | 19.0 | 12.4 | 11.6 | | 9.8 | | | 6.8 | | |
| 80 | 20.6 | 19.8 | 19.0 | 12.4 | 11.6 | | 9.8 | | | 6.8 | | |
| 85 | 20.6 | 19.8 | 19.0 | 12.2 | 11.4 | | 9.8 | | | 6.8 | | |
| 90 | 20.6 | 19.8 | 19.0 | 12.2 | 11.4 | | 9.8 | 10.2 | | 6.8 | 7.2 | |
| 95 | 20.6 | 19.8 | 19.0 | 12.0 | 11.4 | 10.6 | 9.8 | 10.0 | | 6.8 | 7.2 | |
| 100 | 20.6 | 19.8 | 18.8 | 12.0 | 11.2 | 10.6 | 9.8 | 9.8 | 8.2 | 6.8 | 7.0 | |
| 105 | 20.0 | 19.4 | 18.6 | 12.0 | 11.2 | 10.4 | 9.8 | 9.8 | 8.2 | 6.8 | 7.0 | 6.6 |
| 110 | 19.4 | 18.8 | 18.2 | 11.8 | 11.2 | 10.4 | 9.8 | 9.6 | 8.2 | 6.8 | 6.8 | 6.6 |
| 115 | 18.6 | 18.2 | 17.6 | 11.8 | 11.0 | 10.2 | 9.8 | 9.4 | 8.2 | 6.8 | 6.6 | 6.6 |
| 120 | 17.8 | 17.6 | 17.2 | 11.6 | 11.0 | 10.2 | 9.8 | 9.2 | 8.2 | 6.8 | 6.6 | 6.4 |
| 125 | 17.0 | 17.0 | 16.8 | 11.6 | 11.0 | 10.0 | 9.6 | 9.0 | 8.2 | 6.8 | 6.4 | 6.4 |
| 130 | 16.2 | 16.4 | 16.4 | 11.6 | 11.0 | 10.0 | 9.6 | 8.8 | 8.2 | 6.6 | 6.4 | 6.2 |
| 135 | 15.6 | 15.8 | 15.8 | 11.4 | 10.8 | 9.8 | 9.4 | 8.6 | 8.2 | 6.4 | 6.2 | 6.2 |
| 140 | 15.0 | 15.2 | 15.2 | 11.4 | 10.8 | 9.8 | 9.2 | 8.6 | 8.0 | 6.4 | 6.2 | 6.0 |
| 145 | 14.2 | 14.6 | 14.6 | 11.4 | 10.8 | 9.8 | 9.0 | 8.4 | 8.0 | 6.2 | 6.0 | 6.0 |
| 150 | 13.6 | 13.8 | 14.0 | 11.2 | 10.6 | 9.8 | 8.8 | 8.2 | 7.8 | 6.2 | 5.8 | 5.8 |
| 155 | 13.0 | 13.2 | 13.6 | 11.2 | 10.6 | 9.6 | 8.6 | 8.0 | 7.8 | 6.0 | 5.8 | 5.8 |
| 160 | 12.4 | 12.6 | 13.0 | 11.2 | 10.4 | 9.6 | 8.4 | 8.0 | 7.6 | 5.8 | 5.6 | 5.6 |
| 165 | 11.8 | 12.0 | 12.4 | 11.0 | 10.2 | 9.6 | 8.2 | 7.8 | 7.4 | 5.8 | 5.6 | 5.6 |
| 170 | 11.4 | 11.6 | 11.8 | 10.6 | 10.0 | 9.6 | 8.0 | 7.6 | 7.4 | 5.6 | 5.4 | 5.4 |
| 175 | 10.8 | 11.0 | | 10.2 | 9.8 | 9.4 | 7.8 | 7.4 | 7.4 | 5.6 | 5.4 | 5.2 |
| 180 | 10.4 | 10.6 | | 9.8 | 9.6 | 9.4 | 7.8 | 7.4 | 7.2 | 5.4 | 5.2 | 5.2 |
| 185 | 10.0 | 10.2 | | 9.4 | 9.2 | 9.4 | 7.6 | 7.2 | 7.2 | 5.4 | 5.2 | 5.0 |
| 190 | 9.2 | 9.4 | | 8.8 | 9.0 | 9.4 | 7.4 | 7.2 | 7.0 | 5.2 | 5.0 | 5.0 |
| 195 | 8.4 | 8.6 | | 8.4 | 8.8 | 9.2 | 7.2 | 7.0 | 7.0 | 5.0 | 4.8 | 4.8 |
| 200 | 7.6 | 8.0 | | 8.2 | 8.4 | 9.0 | 7.0 | 6.8 | 6.8 | 5.0 | 4.8 | 4.8 |
| 205 | 7.0 | 7.2 | | 7.8 | 8.2 | | 6.6 | 6.6 | 6.6 | 4.8 | 4.6 | 4.8 |
| 210 | 6.4 | | | 7.4 | 7.8 | | 6.4 | 6.4 | 6.6 | 4.8 | 4.6 | 4.6 |
| 215 | 5.8 | | | 7.2 | 7.4 | | 6.2 | 6.2 | 6.4 | 4.6 | 4.4 | 4.6 |
| 220 | | | | 6.6 | 7.0 | | 5.8 | 6.0 | | 4.4 | 4.4 | 4.4 |
| 225 | | | | 6.0 | 6.4 | | 5.6 | 5.8 | | 4.4 | 4.2 | 4.4 |
| 230 | | | | 5.4 | 5.0 | | 5.4 | 5.6 | | 4.2 | 4.2 | 4.2 |
| 235 | | | | 4.8 | 5.8 | | 5.0 | 5.4 | | 4.0 | 4.0 | 4.2 |
| 240 | | | | 4.4 | 5.2 | | 4.4 | 5.0 | | 3.8 | 3.8 | |
| 245 | | | | 3.8 | | | 4.0 | 4.4 | | 3.6 | 3.8 | |
| 250 | | | | | | | 3.6 | 3.8 | | 3.4 | 3.6 | |
| 255 | | | | | | | 3.0 | 3.4 | | 3.0 | 3.4 | |
| 260 | | | | | | | | 3.0 | | | 3.0 | |

THIS CHART IS ONLY A GUIDE AND SHOULD NOT BE USED TO OPERATE THE CRANE. The individual crane's load chart, operating instructions and other instructional plates must be read and understood prior to operating the crane.



197 ft.
(60.0 m)



43-72-98-125 ft.
(13-22-30-38 m)



154,300 lbs.
(70,000 kg)



100%
27' 3" Spread



360°



Pounds (thousands)

| Feet | 43 FT | | 72 FT | | 98 FT | | 125 FT | |
|------|----------|-----------|----------|-----------|----------|-----------|----------|-----------|
| | 5° - 20° | 20° - 40° | 5° - 20° | 20° - 40° | 5° - 20° | 20° - 40° | 5° - 20° | 20° - 40° |
| 55 | 19.0 | | | | | | | |
| 60 | 19.0 | | | | | | | |
| 65 | 19.0 | | | | | | | |
| 70 | 18.8 | 17.4 | | | | | | |
| 75 | 18.8 | 17.4 | 10.6 | | | | | |
| 80 | 18.8 | 17.4 | 10.4 | | | | | |
| 85 | 18.6 | 17.4 | 10.4 | | | | | |
| 90 | 18.6 | 17.4 | 10.4 | | 9.2 | | 6.6 | |
| 95 | 18.4 | 17.4 | 10.2 | 9.6 | 9.0 | | 6.4 | |
| 100 | 18.0 | 17.2 | 10.2 | 9.6 | 9.0 | 7.6 | 6.4 | |
| 105 | 17.6 | 16.8 | 10.2 | 9.4 | 8.8 | 7.6 | 6.2 | 6.0 |
| 110 | 17.2 | 16.4 | 10.2 | 9.4 | 8.6 | 7.6 | 6.2 | 6.0 |
| 115 | 16.6 | 16.0 | 10.0 | 9.4 | 8.6 | 7.6 | 6.0 | 6.0 |
| 120 | 16.0 | 15.8 | 10.0 | 9.2 | 8.4 | 7.6 | 6.0 | 5.8 |
| 125 | 15.4 | 15.4 | 10.0 | 9.2 | 8.2 | 7.6 | 5.8 | 5.8 |
| 130 | 15.0 | 15.0 | 10.0 | 9.0 | 8.0 | 7.6 | 5.8 | 5.6 |
| 135 | 14.4 | 14.4 | 9.8 | 9.0 | 7.8 | 7.4 | 5.6 | 5.6 |
| 140 | 13.8 | 13.8 | 9.8 | 9.0 | 7.8 | 7.4 | 5.6 | 5.4 |
| 145 | 13.2 | 13.4 | 9.8 | 8.8 | 7.6 | 7.2 | 5.4 | 5.4 |
| 150 | 12.6 | 12.8 | 9.6 | 8.8 | 7.4 | 7.2 | 5.4 | 5.4 |
| 155 | 12.0 | 12.2 | 9.6 | 8.8 | 7.4 | 7.0 | 5.2 | 5.2 |
| 160 | 11.4 | 11.8 | 9.4 | 8.8 | 7.2 | 7.0 | 5.2 | 5.2 |
| 165 | 11.0 | 11.2 | 9.2 | 8.8 | 7.0 | 6.8 | 5.0 | 5.0 |
| 170 | 10.4 | 10.8 | 9.0 | 8.6 | 7.0 | 6.8 | 5.0 | 5.0 |
| 175 | 10.0 | | 8.8 | 8.6 | 6.8 | 6.6 | 4.8 | 4.8 |
| 180 | 9.6 | | 8.6 | 8.6 | 6.6 | 6.6 | 4.8 | 4.8 |
| 185 | 9.0 | | 8.4 | 8.6 | 6.6 | 6.4 | 4.6 | 4.6 |
| 190 | 8.4 | | 8.2 | 8.4 | 6.4 | 6.4 | 4.6 | 4.6 |
| 195 | 7.6 | | 8.0 | 8.4 | 6.4 | 6.4 | 4.4 | 4.4 |
| 200 | 7.0 | | 7.8 | 8.2 | 6.2 | 6.2 | 4.4 | 4.4 |
| 205 | 6.4 | | 7.4 | | 6.0 | 6.0 | 4.2 | 4.2 |
| 210 | | | 7.0 | | 5.8 | 6.0 | 4.2 | 4.2 |
| 215 | | | 6.4 | | 5.6 | 5.8 | 4.0 | 4.2 |
| 220 | | | 6.0 | | 5.4 | | 4.0 | 4.0 |
| 225 | | | 5.4 | | 5.2 | | 4.0 | 4.0 |
| 230 | | | 5.0 | | 5.0 | | 3.8 | 3.8 |
| 235 | | | 4.4 | | 4.6 | | 3.6 | 3.8 |
| 240 | | | | | 4.0 | | 3.6 | |
| 245 | | | | | 3.6 | | 3.4 | |
| 250 | | | | | 3.2 | | 3.2 | |
| 255 | | | | | 2.8 | | 2.8 | |
| 260 | | | | | 2.4 | | 2.4 | |

THIS CHART IS ONLY A GUIDE AND SHOULD NOT BE USED TO OPERATE THE CRANE. The individual crane's load chart, operating instructions and other instructional plates must be read and understood prior to operating the crane.

 197 ft. (60.0 m)
  43-72-98-125 ft. (13-22-30-38 m)
  97,000 lbs. (44,000 kg)
  100% 27' 3" Spread
  360°

| Feet | Pounds (thousands) | | | | | | | | | | | |
|------|--------------------|------|------|-------|------|------|-------|------|-----|--------|-----|-----|
| | 43 FT | | | 72 FT | | | 98 FT | | | 125 FT | | |
| | 5° | 20° | 40° | 5° | 20° | 40° | 5° | 20° | 40° | 5° | 20° | 40° |
| 40 | 20.6 | | | | | | | | | | | |
| 45 | 20.6 | | | | | | | | | | | |
| 50 | 20.6 | | | | | | | | | | | |
| 55 | 20.6 | 19.8 | | 12.6 | | | | | | | | |
| 60 | 20.6 | 19.8 | | 12.6 | | | 9.8 | | | 6.8 | | |
| 65 | 20.6 | 19.8 | | 12.6 | | | 9.8 | | | 6.8 | | |
| 70 | 20.6 | 19.8 | 19.0 | 12.4 | | | 9.8 | | | 6.8 | | |
| 75 | 20.6 | 19.8 | 19.0 | 12.4 | 11.6 | | 9.8 | | | 6.8 | | |
| 80 | 20.6 | 19.8 | 19.0 | 12.4 | 11.6 | | 9.8 | | | 6.8 | | |
| 85 | 20.6 | 19.8 | 19.0 | 12.2 | 11.4 | | 9.8 | | | 6.8 | | |
| 90 | 20.6 | 19.8 | 19.0 | 12.2 | 11.4 | | 9.8 | 10.2 | | 6.8 | 7.2 | |
| 95 | 20.6 | 19.8 | 19.0 | 12.0 | 11.4 | 10.6 | 9.8 | 10.0 | | 6.8 | 7.2 | |
| 100 | 20.6 | 19.8 | 18.8 | 12.0 | 11.2 | 10.6 | 9.8 | 9.8 | 8.2 | 6.8 | 7.0 | |
| 105 | 20.0 | 19.4 | 18.6 | 12.0 | 11.2 | 10.4 | 9.8 | 9.8 | 8.2 | 6.8 | 7.0 | 6.6 |
| 110 | 19.4 | 18.8 | 18.2 | 11.8 | 11.2 | 10.4 | 9.8 | 9.6 | 8.2 | 6.8 | 6.8 | 6.6 |
| 115 | 18.0 | 18.2 | 17.6 | 11.8 | 11.0 | 10.2 | 9.8 | 9.4 | 8.2 | 6.8 | 6.6 | 6.6 |
| 120 | 16.4 | 17.4 | 17.2 | 11.6 | 11.0 | 10.2 | 9.8 | 9.2 | 8.2 | 6.8 | 6.6 | 6.4 |
| 125 | 14.8 | 15.8 | 16.6 | 11.6 | 11.0 | 10.0 | 9.6 | 9.0 | 8.2 | 6.8 | 6.4 | 6.4 |
| 130 | 13.4 | 14.2 | 15.0 | 11.6 | 11.0 | 10.0 | 9.6 | 8.8 | 8.2 | 6.6 | 6.4 | 6.2 |
| 135 | 12.0 | 12.8 | 13.6 | 11.4 | 10.8 | 9.8 | 9.4 | 8.6 | 8.2 | 6.4 | 6.2 | 6.2 |
| 140 | 10.8 | 11.6 | 12.2 | 11.4 | 10.8 | 9.8 | 9.2 | 8.6 | 8.0 | 6.4 | 6.2 | 6.0 |
| 145 | 9.8 | 10.4 | 11.0 | 11.4 | 10.8 | 9.8 | 9.0 | 8.4 | 8.0 | 6.2 | 6.0 | 6.0 |
| 150 | 8.6 | 9.4 | 9.8 | 10.4 | 10.6 | 9.8 | 8.8 | 8.2 | 7.8 | 6.2 | 5.8 | 5.8 |
| 155 | 7.8 | 8.4 | 8.8 | 9.4 | 10.6 | 9.6 | 8.6 | 8.0 | 7.8 | 6.0 | 5.8 | 5.8 |
| 160 | 6.8 | 7.4 | 7.8 | 8.4 | 9.6 | 9.6 | 8.4 | 8.0 | 7.6 | 5.8 | 5.6 | 5.6 |
| 165 | 6.0 | 6.4 | 6.8 | 7.6 | 8.8 | 9.6 | 7.8 | 7.8 | 7.4 | 5.8 | 5.6 | 5.6 |
| 170 | 5.2 | 5.6 | 6.0 | 6.8 | 7.8 | 8.8 | 7.0 | 7.6 | 7.4 | 5.6 | 5.4 | 5.4 |
| 175 | 4.4 | 4.8 | | 6.0 | 7.0 | 7.8 | 6.2 | 7.2 | 7.4 | 5.6 | 5.4 | 5.2 |
| 180 | 3.8 | 4.2 | | 5.4 | 6.2 | 7.0 | 5.4 | 6.4 | 7.2 | 5.2 | 5.2 | 5.2 |
| 185 | 3.2 | 3.4 | | 4.6 | 5.4 | 6.2 | 4.8 | 5.8 | 6.6 | 4.4 | 5.2 | 5.0 |
| 190 | 2.4 | 2.8 | | 4.0 | 4.8 | 5.4 | 4.2 | 5.0 | 5.8 | 3.8 | 5.0 | 5.0 |
| 195 | | 2.2 | | 3.4 | 4.2 | 4.6 | 3.6 | 4.4 | 5.2 | 3.2 | 4.2 | 4.8 |
| 200 | | | | 2.8 | 3.6 | 4.0 | 3.0 | 3.8 | 4.4 | 2.8 | 3.6 | 4.6 |
| 205 | | | | 2.2 | 3.0 | | 2.4 | 3.2 | 3.8 | 2.2 | 3.0 | 3.8 |
| 210 | | | | | 2.4 | | | 2.6 | 3.2 | | 2.6 | 3.2 |
| 215 | | | | | 7.4 | | | | 2.6 | | | 2.6 |
| 220 | | | | | 7.0 | | | | | | | |
| 225 | | | | | 6.4 | | | | | | | |
| 230 | | | | | 5.0 | | | | | | | |
| 235 | | | | | 5.8 | | | | | | | |
| 240 | | | | | 5.2 | | | | | | | |

 197 ft. (60.0 m)
  43-72-98-125 ft. (13-22-30-38 m)
  97,000 lbs. (44,000 kg)
  100% 27' 3" Spread
  360°

| Feet | Pounds (thousands) | | | | | | | | | | | |
|------|--------------------|-----------|----------|-----------|----------|-----------|----------|-----------|--|--|--|--|
| | 43 FT | | 72 FT | | 98 FT | | 125 FT | | | | | |
| | 5° - 20° | 20° - 40° | 5° - 20° | 20° - 40° | 5° - 20° | 20° - 40° | 5° - 20° | 20° - 40° | | | | |
| 55 | 19.0 | | | | | | | | | | | |
| 60 | 19.0 | | | | | | | | | | | |
| 65 | 19.0 | | | | | | | | | | | |
| 70 | 18.8 | 17.4 | | | | | | | | | | |
| 75 | 18.8 | 17.4 | | 10.6 | | | | | | | | |
| 80 | 18.8 | 17.4 | | 10.4 | | | | | | | | |
| 85 | 18.6 | 17.4 | | 10.4 | | | | | | | | |
| 90 | 18.6 | 17.4 | | 10.4 | | | | | | | | |
| 95 | 18.4 | 17.4 | | 10.2 | 9.6 | | | | | | | |
| 100 | 18.0 | 17.2 | | 10.2 | 9.6 | | 9.0 | 7.6 | | | | |
| 105 | 17.6 | 16.8 | | 10.2 | 9.4 | | 8.8 | 7.6 | | | | |
| 110 | 17.2 | 16.4 | | 10.2 | 9.4 | | 8.6 | 7.6 | | | | |
| 115 | 16.4 | 16.0 | | 10.0 | 9.4 | | 8.6 | 7.6 | | | | |
| 120 | 14.8 | 15.8 | | 10.0 | 9.2 | | 8.4 | 7.6 | | | | |
| 125 | 13.4 | 14.2 | | 10.0 | 9.2 | | 8.2 | 7.6 | | | | |
| 130 | 12.2 | 13.0 | | 10.0 | 9.0 | | 8.0 | 7.6 | | | | |
| 135 | 11.0 | 11.6 | | 9.8 | 9.0 | | 7.8 | 7.4 | | | | |
| 140 | 9.8 | 10.6 | | 9.8 | 9.0 | | 7.8 | 7.4 | | | | |
| 145 | 8.8 | 9.4 | | 9.8 | 8.8 | | 7.6 | 7.2 | | | | |
| 150 | 7.8 | 8.4 | | 9.4 | 8.8 | | 7.4 | 7.2 | | | | |
| 155 | 7.0 | 7.6 | | 8.6 | 8.8 | | 7.4 | 7.0 | | | | |
| 160 | 6.2 | 6.6 | | 7.6 | 8.8 | | 7.2 | 7.0 | | | | |
| 165 | 5.4 | 5.8 | | 7.0 | 8.0 | | 7.0 | 6.8 | | | | |
| 170 | 4.8 | 5.2 | | 6.2 | 7.2 | | 6.2 | 6.8 | | | | |
| 175 | 4.0 | | | 5.4 | 6.4 | | 5.6 | 6.6 | | | | |
| 180 | 3.4 | | | 4.8 | 5.6 | | 5.0 | 5.8 | | | | |
| 185 | 2.8 | | | 4.2 | 5.0 | | 4.4 | 5.2 | | | | |
| 190 | 2.2 | | | 3.6 | 4.4 | | 3.8 | 4.6 | | | | |
| 195 | | | | 3.0 | 3.8 | | 3.2 | 4.0 | | | | |
| 200 | | | | 2.6 | 3.2 | | 2.6 | 3.4 | | | | |
| 205 | | | | | | | 2.2 | 2.8 | | | | |
| 210 | | | | | | | | 2.4 | | | | |

THIS CHART IS ONLY A GUIDE AND SHOULD NOT BE USED TO OPERATE THE CRANE. The individual crane's load chart, operating instructions and other instructional plates must be read and understood prior to operating the crane.



197 ft.
(60.0 m)



43-72-98-125 ft.
(13-22-30-38 m)



49,600 lbs.
(22,500 kg)



100%
27' 3" Spread



360°



Pounds (thousands)

| Feet | 43 FT | | | 72 FT | | | 98 FT | | | 125 FT | | |
|------|-------|------|------|-------|------|------|-------|------|-----|--------|-----|-----|
| | 5° | 20° | 40° | 5° | 20° | 40° | 5° | 20° | 40° | 5° | 20° | 40° |
| 40 | 20.6 | | | | | | | | | | | |
| 45 | 20.6 | | | | | | | | | | | |
| 50 | 20.6 | | | | | | | | | | | |
| 55 | 20.6 | 19.8 | | 12.6 | | | | | | | | |
| 60 | 20.6 | 19.8 | | 12.6 | | | 9.8 | | | 6.8 | | |
| 65 | 20.6 | 19.8 | | 12.6 | | | 9.8 | | | 6.8 | | |
| 70 | 20.6 | 19.8 | 19.0 | 12.4 | | | 9.8 | | | 6.8 | | |
| 75 | 20.6 | 19.8 | 19.0 | 12.4 | 11.6 | | 9.8 | | | 6.8 | | |
| 80 | 20.0 | 19.8 | 19.0 | 12.4 | 11.6 | | 9.8 | | | 6.8 | | |
| 85 | 17.6 | 19.2 | 19.0 | 12.2 | 11.4 | | 9.8 | | | 6.8 | | |
| 90 | 15.6 | 17.0 | 18.6 | 12.2 | 11.4 | | 9.8 | 10.2 | | 6.8 | 7.2 | |
| 95 | 13.8 | 15.2 | 16.6 | 12.0 | 11.4 | 10.6 | 9.8 | 10.0 | | 6.8 | 7.2 | |
| 100 | 12.0 | 13.4 | 14.8 | 12.0 | 11.2 | 10.6 | 9.8 | 9.8 | 8.2 | 6.8 | 7.0 | |
| 105 | 10.4 | 11.8 | 13.0 | 12.0 | 11.2 | 10.4 | 9.8 | 9.8 | 8.2 | 6.8 | 7.0 | 6.6 |
| 110 | 9.0 | 10.2 | 11.4 | 10.6 | 11.2 | 10.4 | 9.8 | 9.6 | 8.2 | 6.8 | 6.8 | 6.6 |
| 115 | 7.8 | 8.8 | 10.0 | 9.4 | 11.0 | 10.2 | 9.0 | 9.4 | 8.2 | 6.8 | 6.6 | 6.6 |
| 120 | 6.6 | 7.6 | 8.6 | 8.2 | 10.2 | 10.2 | 8.0 | 9.2 | 8.2 | 6.8 | 6.6 | 6.4 |
| 125 | 5.4 | 6.4 | 7.4 | 7.0 | 9.0 | 1.00 | 6.8 | 8.8 | 8.2 | 6.4 | 6.4 | 6.4 |
| 130 | 4.4 | 5.4 | 6.2 | 6.0 | 7.8 | 9.6 | 5.8 | 7.6 | 8.2 | 5.6 | 6.4 | 6.2 |
| 135 | 3.6 | 4.4 | 5.0 | 5.2 | 6.8 | 8.6 | 5.0 | 6.6 | 8.2 | 4.6 | 6.2 | 6.2 |
| 140 | 2.6 | 3.4 | 4.2 | 4.2 | 5.8 | 7.4 | 4.0 | 5.6 | 7.4 | 3.8 | 5.4 | 6.0 |
| 145 | | 2.6 | 3.2 | 3.4 | 4.8 | 6.4 | 3.2 | 4.8 | 6.4 | 3.0 | 4.6 | 6.0 |
| 150 | | | 2.2 | 2.6 | 4.0 | 5.4 | 2.6 | 4.0 | 5.4 | 2.2 | 3.8 | 5.4 |
| 155 | | | | | 3.2 | 4.6 | | 3.2 | 4.6 | | 3.0 | 4.4 |
| 160 | | | | | 2.4 | 3.6 | | 2.4 | 3.8 | | 2.2 | 3.6 |
| 165 | | | | | | 2.8 | | | 3.0 | | | 2.8 |
| 170 | | | | | | | | | 2.2 | | | |



197 ft.
(60.0 m)



43-72-98-125 ft.
(13-22-30-38 m)



49,600 lbs.
(22,500 kg)



100%
27' 3" Spread



360°

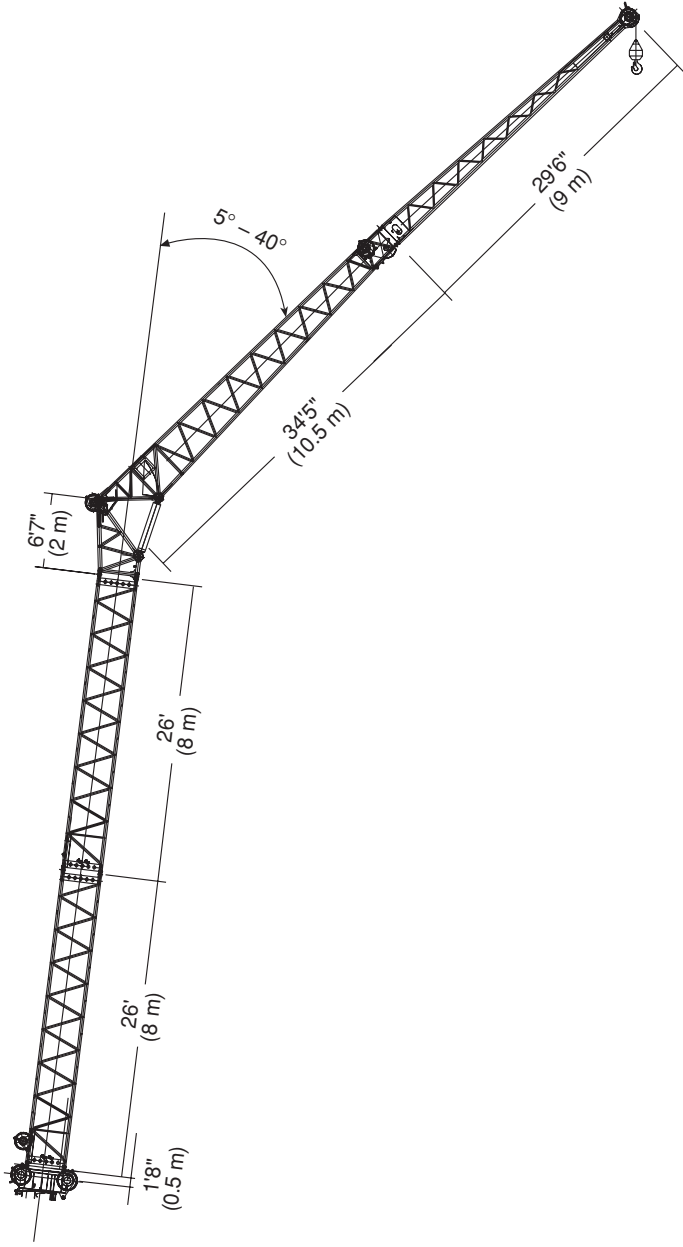


Pounds (thousands)

| Feet | 43 FT | | 72 FT | | 98 FT | | 125 FT | |
|------|----------|-----------|----------|-----------|----------|-----------|----------|-----------|
| | 5° - 20° | 20° - 40° | 5° - 20° | 20° - 40° | 5° - 20° | 20° - 40° | 5° - 20° | 20° - 40° |
| 55 | 19.0 | | | | | | | |
| 60 | 19.0 | | | | | | | |
| 65 | 19.0 | | | | | | | |
| 70 | 18.8 | 17.4 | | | | | | |
| 75 | 18.8 | 17.4 | 10.6 | | | | | |
| 80 | 18.2 | 17.4 | 10.4 | | | | | |
| 85 | 16.0 | 17.4 | 10.4 | | | | | |
| 90 | 14.2 | 15.6 | 10.4 | | 9.2 | | 6.6 | |
| 95 | 12.4 | 13.8 | 10.2 | 9.6 | 9.0 | | 6.4 | |
| 100 | 11.0 | 12.2 | 10.2 | 9.6 | 9.0 | 7.6 | 6.4 | |
| 105 | 9.6 | 10.6 | 10.2 | 9.4 | 8.8 | 7.6 | 6.2 | 6.0 |
| 110 | 8.2 | 9.4 | 9.6 | 9.4 | 8.6 | 7.6 | 6.2 | 6.0 |
| 115 | 7.0 | 8.0 | 8.6 | 9.4 | 8.2 | 7.6 | 6.0 | 6.0 |
| 120 | 6.0 | 7.0 | 7.4 | 9.2 | 7.2 | 7.6 | 6.0 | 5.8 |
| 125 | 5.0 | 5.8 | 6.4 | 8.2 | 6.2 | 7.6 | 5.8 | 5.8 |
| 130 | 4.0 | 4.8 | 5.6 | 7.0 | 5.4 | 7.0 | 5.0 | 5.6 |
| 135 | 3.2 | 4.0 | 4.6 | 6.2 | 4.4 | 6.0 | 4.2 | 5.6 |
| 140 | 2.4 | 3.2 | 3.8 | 5.2 | 3.8 | 5.2 | 3.4 | 5.0 |
| 145 | | 2.4 | 3.2 | 4.4 | 3.0 | 4.4 | 2.6 | 4.2 |
| 150 | | | 2.4 | 3.6 | 2.2 | 3.6 | | 3.4 |
| 155 | | | | 3.0 | | 2.8 | | 2.6 |
| 160 | | | | 2.2 | | 2.2 | | |

THIS CHART IS ONLY A GUIDE AND SHOULD NOT BE USED TO OPERATE THE CRANE. The individual crane's load chart, operating instructions and other instructional plates must be read and understood prior to operating the crane.

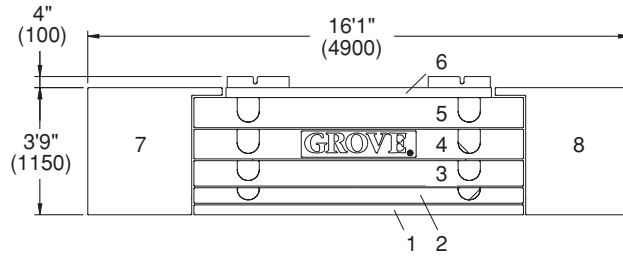
Boom Extension Configurations



| Length (ft.) | Intermediate section boom extension make-up | | | |
|--------------|---|---------------|-------------------|----------------|
| | 26' (8 m) | 6'7" (2 m) | 34'5" (10.5 m) | 29'6" (9 m) |
| 43 | — | 1x | 1x | — |
| 72 | — | 1x | 1x | 1x |
| 98 | 1x | 1x | 1x | 1x |
| 125 | 2x | 1x | 1x | 1x |

THIS CHART IS ONLY A GUIDE AND SHOULD NOT BE USED TO OPERATE THE CRANE. The individual crane's load chart, operating instructions and other instructional plates must be read and understood prior to operating the crane.

Counterweight Configurations



1. 11,980 lbs. (5,400 kg)

2. 11,200 lbs. (5,100 kg)

3. 18,700 lbs. (8,500 kg)

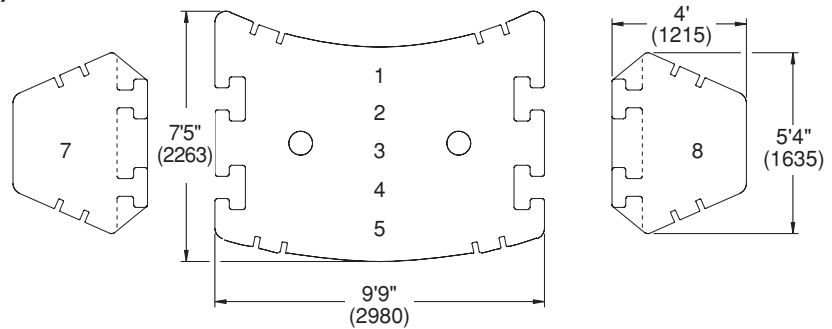
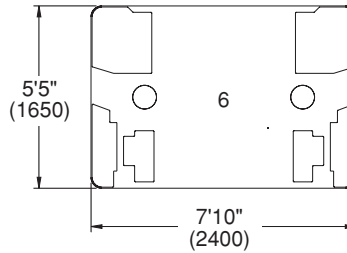
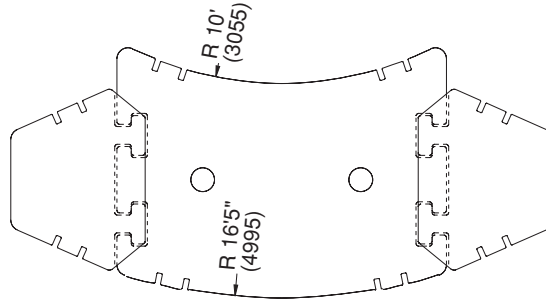
4. 24,300 lbs. (11,000 kg)

5. 23,100 lbs. (10,500 kg)


6. 7,700 lbs. (3,500 kg)

7. 28,660 lbs. (13,000 kg)

8. 28,660 lbs. (13,000 kg)



Note: () Reference dimensions in mm

|  | 1 | 2 | 3 | 4 | 5 | 6 | 7 | 8 |
|---|---|---|---|---|---|---|---|---|
| 23,100 lbs. | X | X | | | | | | |
| 30,800 lbs. | X | X | | | | X | | |
| 49,600 lbs. | X | X | X | | | X | | |
| 73,800 lbs. | X | X | X | X | | X | | |
| 97,000 lbs. | X | X | X | X | X | X | | |
| 141,000 lbs. | X | X | X | X | X | X | * | * |
| 154,300 lbs. | X | X | X | X | X | X | X | X |

*NOTE: To utilize 141,000 lb. (64 000 kg) load chart optional counterweights for 7 & 8 may be provided weighing 22,050 lbs. (10 000 kg) each.

Rated Lifting Capacities

IMPORTANT NOTES:

WARNING: THIS CHART IS ONLY A GUIDE. The notes below are for illustration only and should not be relied upon to operate the crane. The individual crane's load chart, operating instructions and other instruction plates must be read and understood prior to operating the crane.

1. All rated loads meet ANSI/ASME B30.5, Mobile and Locomotive Cranes. Testing and development were performed to SAEJ1063, Cantilevered Boom Crane Structures - Method of Test and SAEJ765 Crane Stability Test Code.

2. Capacities given do not include the weight of hook blocks, slings, auxiliary lifting equipment and load handling devices. Their weights must be added to the load to be lifted. When more than minimum required reeving is used, the additional rope weight shall be considered part of the load.

3. The machine shall be leveled on a firm supporting surface. Depending on the nature of the supporting surface, it may be necessary to have structural supports under the outrigger floats to spread the load to a larger bearing surface.

4. When either boom length or radius or both are between values listed, the smallest load shown at either the next larger radius or next longer or shorter boom length shall be used.

5. For outrigger operation, outriggers shall be properly extended with tires raised off the ground before operating the boom or lifting loads.

Symbols Glossary

| | | | |
|---|-----------------------------|---|------------------|
|  | Frame |  | Steering |
|  | Outriggers |  | Transmission |
|  | Outrigger Controls |  | Axles |
|  | Engine |  | Brakes |
|  | Fuel Tank Capacity |  | Tires |
|  | Electrical System |  | Suspension |
|  | Drive |  | Rotation |
|  | Lights |  | Boom Elevation |
|  | Cab |  | Swing |
|  | Boom |  | Counterweight |
|  | Fixed Swingaway |  | Oil |
|  | Tele-Swingaway |  | Hydraulic System |
|  | Lattice Extension (Luffing) |  | Hoist |
|  | Boom Nose |  | Radius |
|  | Boom Extension |  | Boom Length |
|  | Speed |  | Hookblock |
|  | Grade |  | Gear |
|  | Lattice Extension |  | Luffing Jib |

GMK5240 Features and Benefits



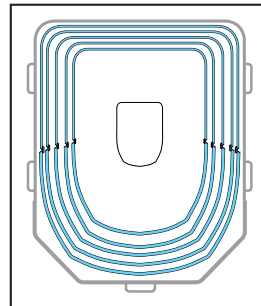
▶ MEGATRAK™ is an independent suspension and all wheel steer system which allows all wheels to remain on the ground at all times so stresses and weight are not continually transferred between axles

▶ ECOS (Electronic Crane Operating System) is a computerized system that continuously monitors and controls principle crane functions as programmed by an operator

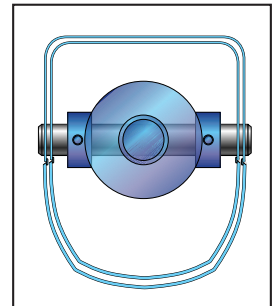


▶ EKS4 is an electronic load moment indicator that operates in conjunction with ECOS continuously displaying crane configuration and load moment data

▶ MEGAFORM™ is a "U" shape boom design which forms a natural cradle position for boom sections which eliminates stiffeners thus reducing weight and increasing capacity



▶ TWIN-LOCK™ is a boom pinning mechanism that automatically pins the sections in position using two horizontal large diameter boom pins



Constant improvement and engineering progress make it necessary that we reserve the right to make specification, equipment, and price changes without notice. Illustrations shown may include optional equipment and accessories and may not include all standard equipment.

GROVE® and GROVE LOGO are registered trademarks of GROVE in the U.S. and/or other countries. Copyright© 2000 GROVE. All rights reserved.

Grove Worldwide - World Headquarters

1565 Buchanan Trail East

P.O. Box 21

Shady Grove, Pennsylvania 17256-0021, U.S.A.

Tel: (717) 597-8121

Fax: (717) 597-4062

www.groveworldwide.com